



# +5V/+3V, 12-Bit, Serial, Force/Sense DACs with 10ppm/°C Internal Reference

**MAX5122/MAX5123**

## General Description

The MAX5122/MAX5123 low-power, 12-bit, voltage-output, digital-to-analog converters (DACs) feature an internal precision bandgap reference and output amplifier.

The MAX5122 operates on a single +5V supply with an internal +2.5V reference, and offers a configurable output amplifier. If necessary, the user can override the on-chip, <math><10\text{ppm}/^\circ\text{C}</math> voltage reference with an external reference. The MAX5123 has the same features as the MAX5122 but operates from a single +3V supply and has an internal +1.25V precision reference. The user-accessible inverting input and output of the amplifier allows specific gain configurations, remote sensing, and high output drive capability for a wide range of force/sense applications. Both devices draw only 500 $\mu\text{A}$  of supply current, which reduces to 3 $\mu\text{A}$  in power-down mode. In addition, their power-up reset feature allows for a user-selectable initial output state of either 0V or midscale and reduces output glitches during power-up.

The serial interface is compatible with SPI™, QSPI™, and MICROWIRE™, which makes the MAX5122/MAX5123 suitable for cascading multiple devices. Each DAC has a double-buffered input organized as an input register followed by a DAC register. A 16-bit shift register loads data into the input register. The DAC register may be updated independently or simultaneously with the input register.

Both devices are available in a 16-pin QSOP package and are specified for the extended-industrial (-40°C to +85°C) operating temperature range. For pin-compatible 14-bit upgrades, see the MAX5171/MAX5173 data sheet; for the pin-compatible 13-bit version, see the MAX5132/MAX5133 data sheet.

## Applications

- Industrial Process Control
- Automatic Test Equipment
- Digital Offset and Gain Adjustment
- Motion Control
- Microprocessor-Controlled Systems

SPI and QSPI are trademarks of Motorola, Inc.  
MICROWIRE is a trademark of National Semiconductor Corp.



## Features

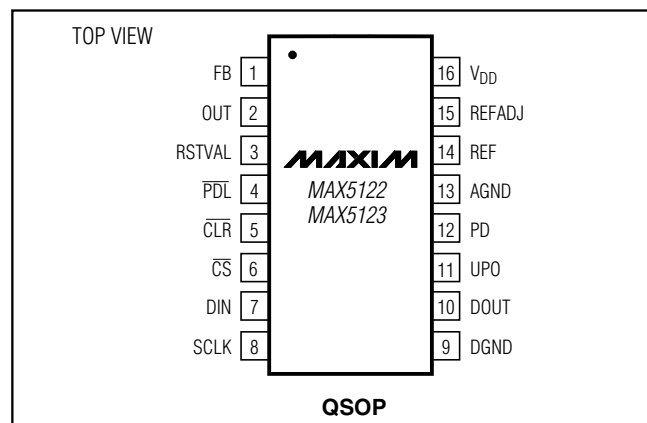
- ◆ **Single-Supply Operation**  
+5V (MAX5122)  
+3V (MAX5123)
- ◆ **Built-In 10ppm/°C max Precision Bandgap Reference**  
+2.5V (MAX5122)  
+1.25V (MAX5123)
- ◆ **SPI/QSPI/MICROWIRE-Compatible, 3-Wire Serial Interface**
- ◆ **Pin-Programmable Shutdown Mode and Power-Up Reset (0 or Midscale Output Voltage)**
- ◆ **Buffered Output Capable of Driving 5k $\Omega$  || 100pF or 4–20mA Loads**
- ◆ **Space-Saving 16-Pin QSOP Package**
- ◆ **Pin-Compatible 13-Bit Upgrades Available (MAX5132/MAX5133)**
- ◆ **Pin-Compatible 14-Bit Upgrades Available (MAX5171/MAX5173)**

## Ordering Information

PART	PIN-PACKAGE	INL (LSB)	PKG CODE
MAX5122AEEE	16 QSOP	$\pm 0.5$	E16-5
MAX5122BEEE	16 QSOP	$\pm 1$	E16-5
MAX5123AEEE	16 QSOP	$\pm 1$	E16-5
MAX5123BEEE	16 QSOP	$\pm 2$	E16-5

**Note:** All devices are specified over the -40°C to +85°C operating temperature range.

## Pin Configuration



**For pricing, delivery, and ordering information, please contact Maxim/Dallas Direct! at 1-888-629-4642, or visit Maxim's website at [www.maxim-ic.com](http://www.maxim-ic.com).**

# +5V/+3V, 12-Bit, Serial, Force/Sense DACs with 10ppm/°C Internal Reference

## ABSOLUTE MAXIMUM RATINGS

V <sub>DD</sub> to AGND, DGND	-0.3V to +6V
AGND to DGND	-0.3V to +0.3V
Digital Inputs to DGND	-0.3V to +6V
Digital Outputs (DOUT, UPO) to DGND	-0.3V to (V <sub>DD</sub> + 0.3V)
FB, OUT to AGND	-0.3V to (V <sub>DD</sub> + 0.3V)
REF, REFADJ to AGND	-0.3V to (V <sub>DD</sub> + 0.3V)
Maximum Current into Any Pin	.50mA

Continuous Power Dissipation (T <sub>A</sub> = +70°C)	
QSOP (derate 8.00mW/°C above +70°C)	667mW
Operating Temperature Range	-40°C to +85°C
Storage Temperature Range	-65°C to +150°C
Lead Temperature (soldering, 10s)	+300°C

Stresses beyond those listed under "Absolute Maximum Ratings" may cause permanent damage to the device. These are stress ratings only, and functional operation of the device at these or any other conditions beyond those indicated in the operational sections of the specifications is not implied. Exposure to absolute maximum rating conditions for extended periods may affect device reliability.

## ELECTRICAL CHARACTERISTICS—MAX5122 (+5V)

(V<sub>DD</sub> = +5V ±10%, AGND = DGND, 33nF capacitor at REFADJ, internal reference, R<sub>L</sub> = 5kΩ, C<sub>L</sub> = 100pF, output amplifier configured in unity-gain, T<sub>A</sub> = T<sub>MIN</sub> to T<sub>MAX</sub>, unless otherwise noted. Typical values are at T<sub>A</sub> = +25°C.)

PARAMETER	SYMBOL	CONDITIONS	MIN	TYP	MAX	UNITS
<b>STATIC PERFORMANCE</b>						
Resolution	N		12			Bits
Integral Nonlinearity (Note 1)	INL	MAX5122A	-0.5		0.5	LSB
		MAX5123B	-1		1	
Differential Nonlinearity	DNL		-1		1	LSB
Offset Error (Note 2)	V <sub>OS</sub>		-10		10	mV
Gain Error	GE		-3	-0.2	3	mV
Full-Scale Temperature Coefficient (Note 3)	TCV <sub>FS</sub>	MAX5122A		3	10	ppm/°C
		MAX5123B		10	30	
Power-Supply Rejection Ratio	PSRR	4.5V ≤ V <sub>DD</sub> ≤ 5.5V		20	250	μV/V
<b>REFERENCE</b>						
Output Voltage	V <sub>REF</sub>	T <sub>A</sub> = +25°C	2.475	2.5	2.525	V
Output Voltage Temperature Coefficient	TCV <sub>REF</sub>	MAX5122A		3		ppm/°C
		MAX5122B		10		
Reference External Load Regulation	V <sub>OUT</sub> /I <sub>OUT</sub>	0 ≤ I <sub>OUT</sub> ≤ 100μA (sourcing)		0.1	1	μV/μA
Reference Short-Circuit Current				4		mA
REFADJ Current		REFADJ = V <sub>DD</sub>		3.3	7	μA
<b>DIGITAL INPUT</b>						
Input High Voltage	V <sub>IH</sub>		3			V
Input Low Voltage	V <sub>IL</sub>				0.8	V
Input Hysteresis	V <sub>HYS</sub>			200		mV
Input Leakage Current	I <sub>IN</sub>	V <sub>IN</sub> = 0 or V <sub>DD</sub>	-1	0.001	1	μA
Input Capacitance	C <sub>IN</sub>			8		pF
<b>DIGITAL OUTPUTS</b>						
Output High Voltage	V <sub>OH</sub>	I <sub>SOURCE</sub> = 2mA	V <sub>DD</sub> - 0.5			V
Output Low Voltage	V <sub>OL</sub>	I <sub>SINK</sub> = 2mA		0.13	0.4	V

# +5V/+3V, 12-Bit, Serial, Force/Sense DACs with 10ppm/°C Internal Reference

**MAX5122/MAX5123**

## ELECTRICAL CHARACTERISTICS—MAX5122 (+5V) (continued)

( $V_{DD} = +5V \pm 10\%$ ,  $AGND = DGND$ , 33nF capacitor at REFADJ, internal reference,  $R_L = 5k\Omega$ ,  $C_L = 100pF$ , output amplifier configured in unity-gain,  $T_A = T_{MIN}$  to  $T_{MAX}$ , unless otherwise noted. Typical values are at  $T_A = +25^\circ C$ .)

PARAMETER	SYMBOL	CONDITIONS	MIN	TYP	MAX	UNITS
<b>DYNAMIC PERFORMANCE</b>						
Voltage Output Slew Rate	SR			0.6		V/ $\mu$ s
Output Settling Time		$T_o \pm 0.5LSB$ , $V_{STEP} = 2.5V$		20		$\mu$ s
Output Voltage Swing (Note 4)				0 to $V_{DD}$		V
Current into FB			-0.1	0	0.1	$\mu$ A
Time Required to Exit Shutdown				2		ms
Digital Feedthrough		$\overline{CS} = V_{DD}$ , $f_{SCLK} = 100kHz$ , $V_{SCLK} = 5Vp-p$		5		nV-sec
<b>POWER REQUIREMENTS</b>						
Power-Supply Voltage (Note 5)	$V_{DD}$		4.5		5.5	V
Power-Supply Current (Note 5)	$I_{DD}$			500	600	$\mu$ A
Power-Supply Current in Shutdown	$I_{SHDN}$			3	20	$\mu$ A

## ELECTRICAL CHARACTERISTICS—MAX5123 (+3V)

( $V_{DD} = +3V \pm 10\%$ ,  $AGND = DGND$ , 33nF capacitor at REFADJ, internal reference,  $R_L = 5k\Omega$ ,  $C_L = 100pF$ , output amplifier connected in unity-gain,  $T_A = T_{MIN}$  to  $T_{MAX}$ , unless otherwise noted. Typical values are at  $T_A = +25^\circ C$ .)

PARAMETER	SYMBOL	CONDITIONS	MIN	TYP	MAX	UNITS
<b>STATIC PERFORMANCE</b>						
Resolution	N		12			Bits
Integral Nonlinearity (Note 1)	INL	MAX5123A	-1		1	LSB
		MAX5123B	-2		2	
Differential Nonlinearity	DNL		-1		1	LSB
Offset Error (Note 2)	$V_{OS}$		-10		10	mV
Gain Error	GE		-5	-0.2	5	mV
Full-Scale Temperature Coefficient (Note 3)	$TCV_{FS}$	MAX5123A		3	10	ppm/°C
		MAX5123B		10	30	
Power-Supply Rejection Ratio	PSRR	$2.7V \leq V_{DD} \leq 3.3V$		20	250	$\mu$ V/V
<b>REFERENCE</b>						
Output Voltage	$V_{REF}$	$T_A = +25^\circ C$	1.237	1.25	1.263	V
Output Voltage Temperature Coefficient	$TCV_{REF}$	MAX5123A		3		ppm/°C
		MAX5123B		10		
Reference External Load Regulation	$V_{OUT}/I_{OUT}$	$0 \leq I_{OUT} \leq 100\mu A$ (sourcing)		0.1	1	$\mu$ V/ $\mu$ A
Reference Short-Circuit Current				4		mA
REFADJ Current		REFADJ = $V_{DD}$		3.3	7	$\mu$ A
<b>DIGITAL INPUT</b>						
Input High Voltage	$V_{IH}$		2.2			V
Input Low Voltage	$V_{IL}$				0.8	V
Input Hysteresis	$V_{HYS}$			200		mV

# +5V/+3V, 12-Bit, Serial, Force/Sense DACs with 10ppm/°C Internal Reference

## ELECTRICAL CHARACTERISTICS—MAX5123 (+3V) (continued)

( $V_{DD} = +3V \pm 10\%$ ,  $AGND = DGND$ , 33nF capacitor at REFADJ, internal reference,  $R_L = 5k\Omega$ ,  $C_L = 100pF$ , output amplifier connected in unity-gain,  $T_A = T_{MIN}$  to  $T_{MAX}$ , unless otherwise noted. Typical values are at  $T_A = +25^\circ C$ .)

PARAMETER	SYMBOL	CONDITIONS	MIN	TYP	MAX	UNITS
Input Leakage Current	$I_{IN}$	$V_{IN} = 0$ or $V_{DD}$	-1	0.001	1	$\mu A$
Input Capacitance	$C_{IN}$			8		pF
<b>DIGITAL OUTPUTS</b>						
Output High Voltage	$V_{OH}$	$I_{SOURCE} = 2mA$	$V_{DD} - 0.5$			V
Output Low Voltage	$V_{OL}$	$I_{SINK} = 2mA$		0.13	0.4	V
<b>DYNAMIC PERFORMANCE</b>						
Voltage Output Slew Rate	SR			0.6		V/ $\mu s$
Output Settling Time		$T_o \pm 0.5LSB$ , $V_{STEP} = 1.25V$		20		$\mu s$
Output Voltage Swing (Note 4)			0 to $V_{DD}$			V
Current into FB			-0.1	0	0.1	$\mu A$
Time Required to Exit Shutdown				2		ms
Digital Feedthrough		$\overline{CS} = V_{DD}$ , $f_{SCLK} = 100kHz$ , $V_{SCLK} = 3Vp-p$		5		nV-sec
<b>POWER REQUIREMENTS</b>						
Power-Supply Voltage (Note 5)	$V_{DD}$		2.7		3.6	V
Power-Supply Current (Note 5)	$I_{DD}$			500	600	$\mu A$
Power-Supply Current in Shutdown	$I_{SHDN}$			3	20	$\mu A$

## TIMING CHARACTERISTICS—MAX5122 (+5V)

( $V_{DD} = +5V \pm 10\%$ ,  $AGND = DGND$ , 33nF capacitor at REFADJ, internal reference,  $R_L = 5k\Omega$ ,  $C_L = 100pF$ , output amplifier connected in unity-gain,  $T_A = T_{MIN}$  to  $T_{MAX}$ , unless otherwise noted. Typical values are at  $T_A = +25^\circ C$ .)

PARAMETER	SYMBOL	CONDITIONS	MIN	TYP	MAX	UNITS
SCLK Clock Period	$t_{CP}$		100			ns
SCLK Pulse Width High	$t_{CH}$		40			ns
SCLK Pulse Width Low	$t_{CL}$		40			ns
$\overline{CS}$ Fall to SCLK Rise Setup Time	$t_{CSS}$		40			ns
SCLK Rise to $\overline{CS}$ Rise Hold Time	$t_{CSH}$		0			ns
SDI Setup Time	$t_{DS}$		40			ns
SDI Hold Time	$t_{DH}$		0			ns
SCLK Rise to DOUT Valid Propagation Delay Time	$t_{DO1}$	$C_{LOAD} = 200pF$			80	ns
SCLK Fall to DOUT Valid Propagation Delay Time	$t_{DO2}$	$C_{LOAD} = 200pF$			80	ns
SCLK Rise to $\overline{CS}$ Fall Delay Time	$t_{CS0}$		10			ns
$\overline{CS}$ Rise to SCLK Rise Hold Time	$t_{CS1}$		40			ns
$\overline{CS}$ Pulse Width High	$t_{CSW}$		100			ns

# +5V/+3V, 12-Bit, Serial, Force/Sense DACs with 10ppm/°C Internal Reference

**MAX5122/MAX5123**

## TIMING CHARACTERISTICS—MAX5123 (+3V)

( $V_{DD} = +3V \pm 10\%$ ,  $AGND = DGND$ , 33nF capacitor at REFADJ, internal reference,  $R_L = 5k\Omega$ ,  $C_L = 100pF$ , output amplifier connected in unity-gain,  $T_A = T_{MIN}$  to  $T_{MAX}$ , unless otherwise noted. Typical values are at  $T_A = +25^\circ C$ .)

PARAMETER	SYMBOL	CONDITIONS	MIN	TYP	MAX	UNITS
SCLK Clock Period	t <sub>CP</sub>		150			ns
SCLK Pulse Width High	t <sub>CH</sub>		75			ns
SCLK Pulse Width Low	t <sub>CL</sub>		75			ns
$\overline{CS}$ Fall to SCLK Rise Setup Time	t <sub>CSS</sub>		60			ns
SCLK Rise to $\overline{CS}$ Rise Hold Time	t <sub>CSH</sub>		0			ns
SDI Setup Time	t <sub>DS</sub>		60			ns
SDI Hold Time	t <sub>DH</sub>		0			ns
SCLK Rise to DOUT Valid Propagation Delay Time	t <sub>DO1</sub>	$C_{LOAD} = 200pF$			200	ns
SCLK Fall to DOUT Valid Propagation Delay Time	t <sub>DO2</sub>	$C_{LOAD} = 200pF$			200	ns
SCLK Rise to $\overline{CS}$ Fall Delay Time	t <sub>CS0</sub>		10			ns
$\overline{CS}$ Rise to SCLK Rise Hold Time	t <sub>CS1</sub>		75			ns
$\overline{CS}$ Pulse Width High	t <sub>CSW</sub>		150			ns

**Note 1:** Accuracy is guaranteed by the following table:

V <sub>DD</sub> (V)	Accuracy Guaranteed	
	From Code:	To Code:
5	16	4095
3	33	4095

**Note 2:** Offset is measured at the code closest to 10mV.

**Note 3:** The temperature coefficient is determined by the “box” method, in which the maximum  $\Delta V_{OUT}$  over the temperature range is divided by  $\Delta T$  and the typical reference voltage.

**Note 4:** Accuracy is better than 1.0LSB for  $V_{OUT} = 10mV$  to  $(V_{DD} - 180mV)$ . Guaranteed by PSR test on end points.

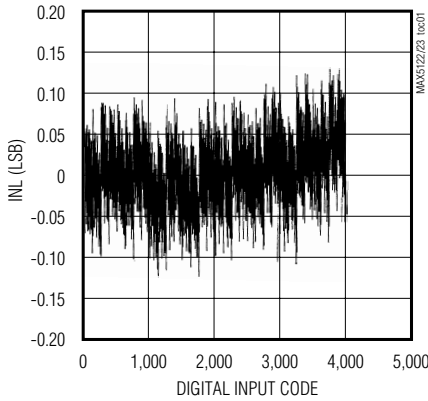
**Note 5:**  $R_{LOAD} = \infty$  and digital inputs are at either  $V_{DD}$  or  $DGND$ .

# +5V/+3V, 12-Bit, Serial, Force/Sense DACs with 10ppm/°C Internal Reference

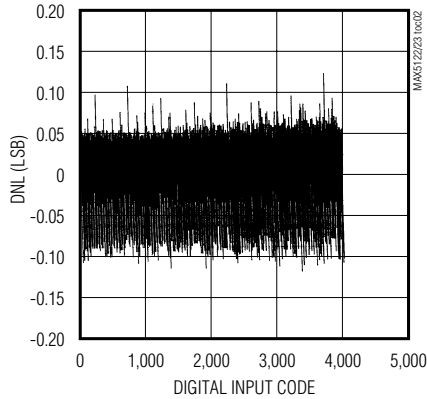
## Typical Operating Characteristics

( $V_{DD} = +5V$ ,  $R_L = 5k\Omega$ ,  $C_L = 100pF$ , output amplifier in unity-gain configuration,  $T_A = +25^\circ C$ , unless otherwise noted.)

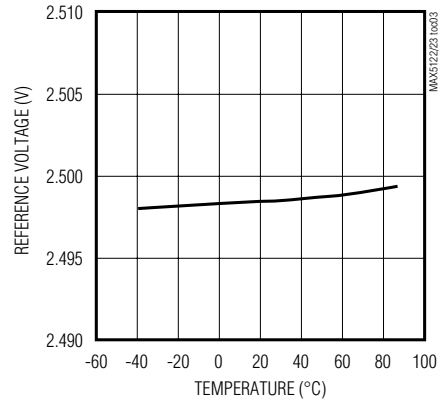
**MAX5122**  
INTEGRAL NONLINEARITY vs.  
DIGITAL INPUT CODE



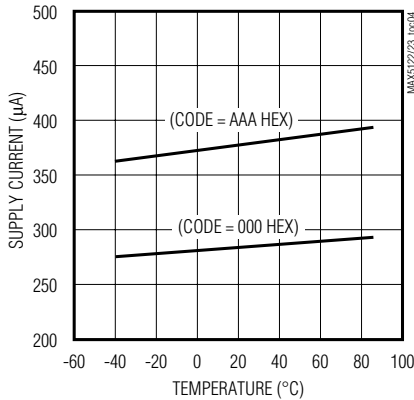
**MAX5122**  
DIFFERENTIAL NONLINEARITY vs.  
DIGITAL INPUT CODE



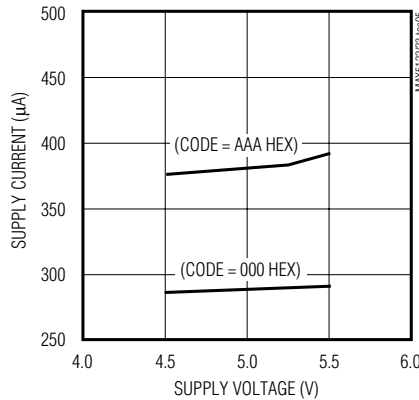
**MAX5122**  
REFERENCE VOLTAGE vs. TEMPERATURE



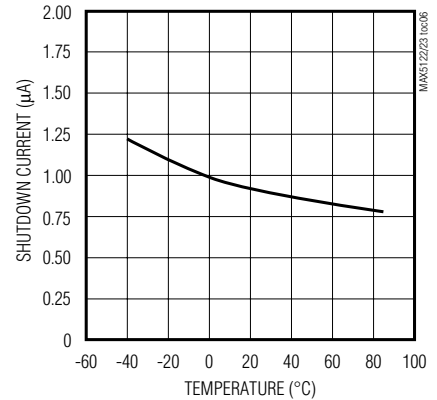
**MAX5122**  
SUPPLY CURRENT vs. TEMPERATURE



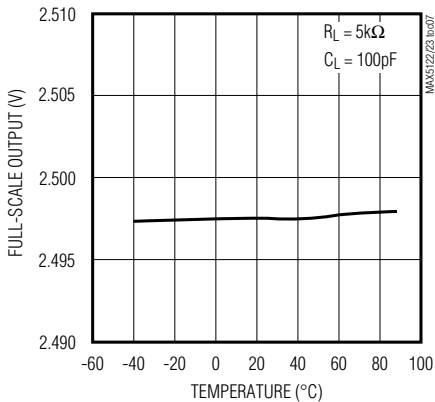
**MAX5122**  
SUPPLY CURRENT vs. SUPPLY VOLTAGE



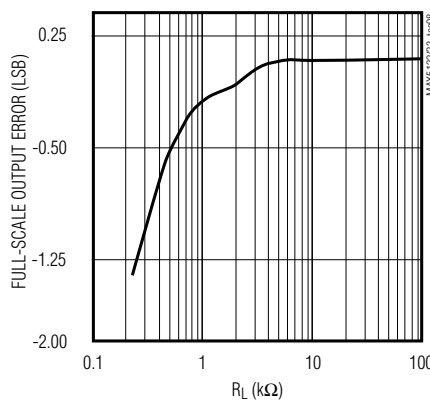
**MAX5122**  
SHUTDOWN CURRENT vs. TEMPERATURE



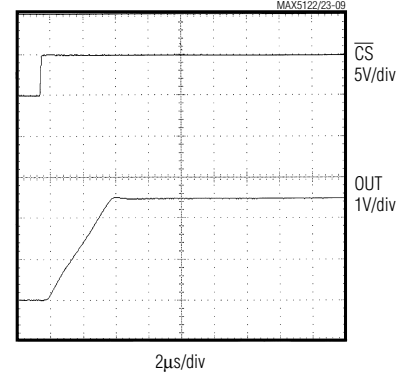
**MAX5122**  
FULL-SCALE OUTPUT VOLTAGE  
vs. TEMPERATURE



**MAX5122**  
FULL-SCALE OUTPUT ERROR vs. RESISTIVE LOAD



**MAX5122**  
DYNAMIC RESPONSE RISE TIME



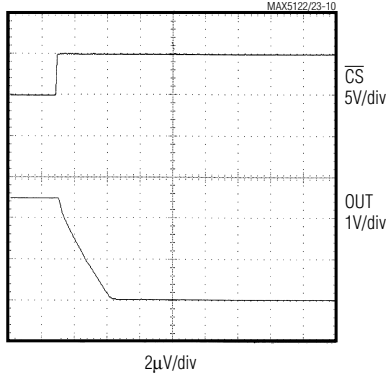
# +5V/+3V, 12-Bit, Serial, Force/Sense DACs with 10ppm/°C Internal Reference

## Typical Operating Characteristics (continued)

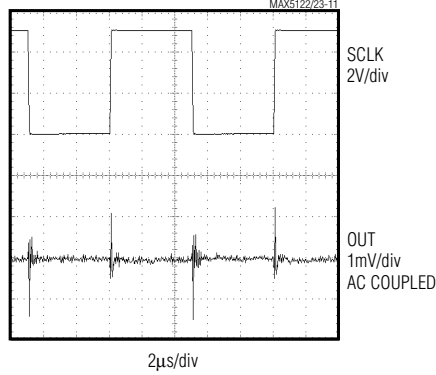
(V<sub>DD</sub> = +5V, R<sub>L</sub> = 5kΩ, C<sub>L</sub> = 100pF, output amplifier in unity-gain configuration, T<sub>A</sub> = +25°C, unless otherwise noted.)

MAX5122/MAX5123

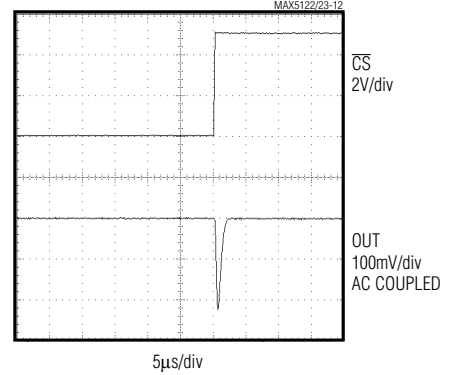
**MAX5122**  
**DYNAMIC RESPONSE FALL TIME**



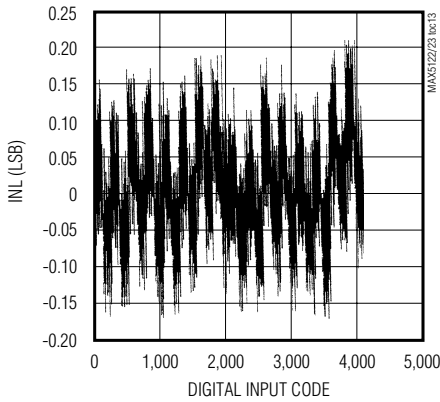
**MAX5122**  
**DIGITAL FEEDTHROUGH (SCLK, OUT)**



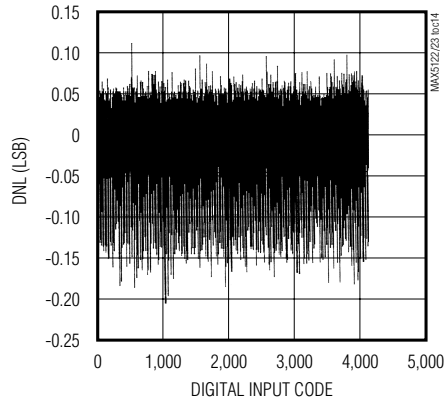
**MAX5122**  
**MAJOR CARRY TRANSITION**



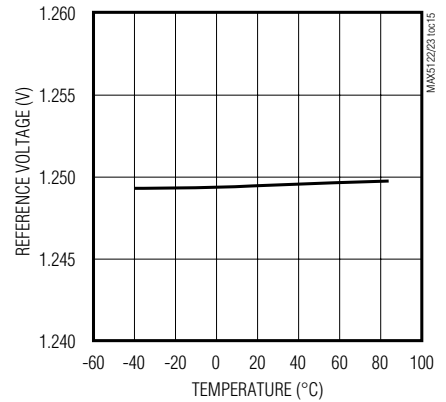
**MAX5123**  
**INTEGRAL NONLINEARITY vs. DIGITAL INPUT CODE**



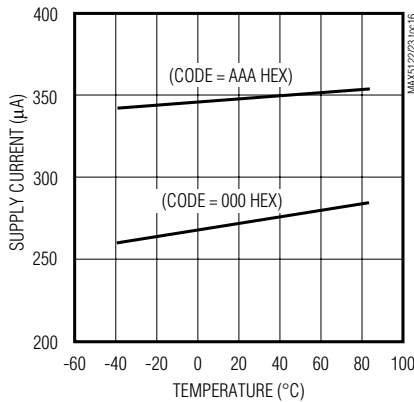
**MAX5123**  
**DIFFERENTIAL NONLINEARITY vs. DIGITAL INPUT CODE**



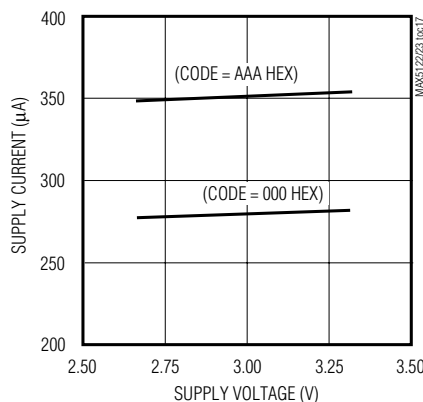
**MAX5123**  
**REFERENCE VOLTAGE vs. TEMPERATURE**



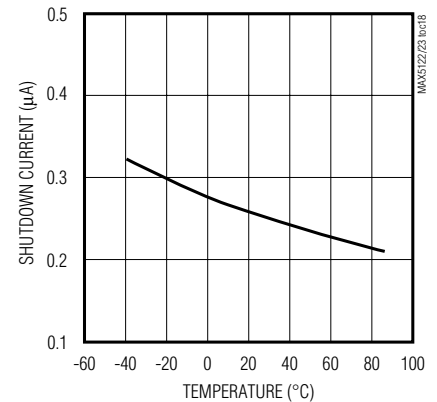
**MAX5123**  
**SUPPLY CURRENT vs. TEMPERATURE**



**MAX5123**  
**SUPPLY CURRENT vs. SUPPLY VOLTAGE**



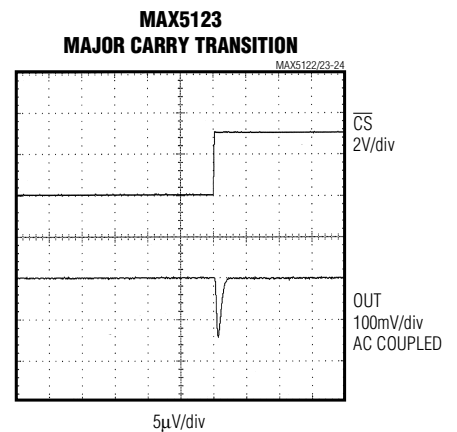
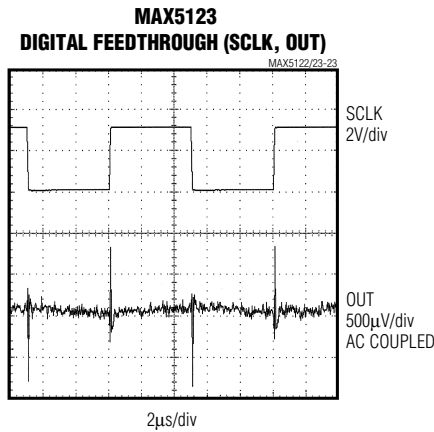
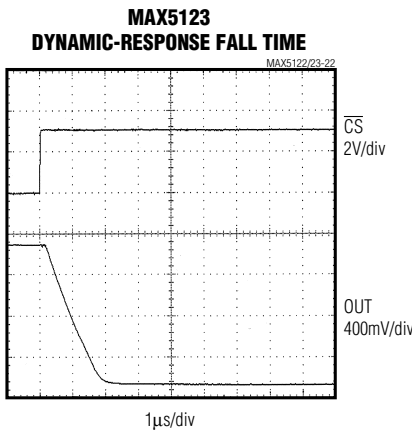
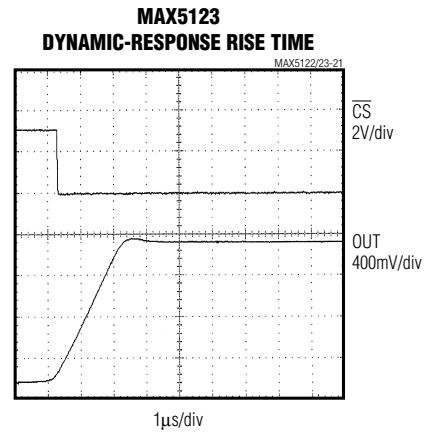
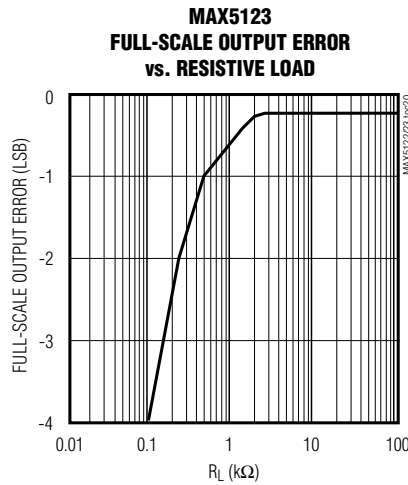
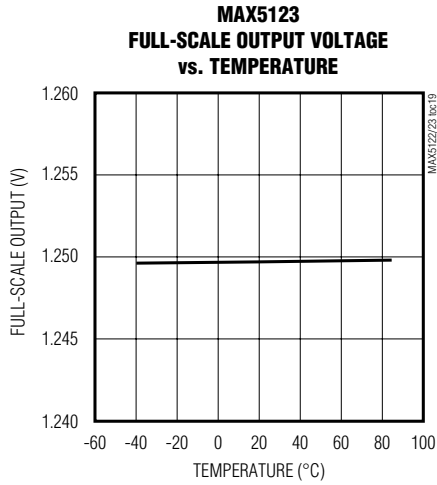
**MAX5123**  
**SHUTDOWN CURRENT vs. TEMPERATURE**



# +5V/+3V, 12-Bit, Serial, Force/Sense DACs with 10ppm/°C Internal Reference

## Typical Operating Characteristics (continued)

(V<sub>DD</sub> = +5V, R<sub>L</sub> = 5kΩ, C<sub>L</sub> = 100pF, output amplifier in unity-gain configuration, T<sub>A</sub> = +25°C, unless otherwise noted.)





# +5V/+3V, 12-Bit, Serial, Force/Sense DACs with 10ppm/°C Internal Reference

## Pin Description

**MAX5122/MAX5123**

PIN	NAME	FUNCTION
1	FB	Amplifier Inverting Sense Input (Analog Input)
2	OUT	Analog Output Voltage. High impedance if part is in shutdown.
3	RSTVAL	Reset Value Input (Digital Input). 1: Connect to V <sub>DD</sub> to select midscale as the output reset value. 0: Connect to DGND to select 0V as the output reset value.
4	$\overline{\text{PDL}}$	Power-Down Lockout (Digital Input). 1: Normal operation. 0: Disallows shutdown (device cannot be powered down).
5	$\overline{\text{CLR}}$	Reset DAC Input (Digital Input). Clears the DAC to its predetermined (RSTVAL) output state. Clearing the DAC will cause it to exit a software shutdown state.
6	$\overline{\text{CS}}$	Active-Low Chip-Select Input (Digital Input)
7	DIN	Serial Data Input. Data is clocked in on the rising edge of SCLK.
8	SCLK	Serial Clock Input
9	DGND	Digital Ground
10	DOUT	Serial Data Output
11	UPO	User-Programmable Output (Digital Output)
12	PD	Power-Down Input (Digital Input). Pulling PD high when $\overline{\text{PDL}} = \text{V}_{\text{DD}}$ places the IC into shutdown with a maximum shutdown current of 20 $\mu$ A.
13	AGND	Analog Ground
14	REF	Buffered Reference Output/Input. In internal reference mode, the reference buffer provides a +2.5V (MAX5122) or +1.25V (MAX5123) nominal output, externally adjustable at REFADJ. In external reference mode, disable the internal reference by pulling REFADJ to V <sub>DD</sub> and applying the external reference to REF.
15	REFADJ	Analog Reference Adjust Input. Bypass with a 33nF capacitor to AGND. Connect to V <sub>DD</sub> when using an external reference.
16	V <sub>DD</sub>	Positive Power Supply. Bypass with a 0.1 $\mu$ F capacitor in parallel with a 4.7 $\mu$ F capacitor to AGND.

# +5V/+3V, 12-Bit, Serial, Force/Sense DACs with 10ppm/°C Internal Reference

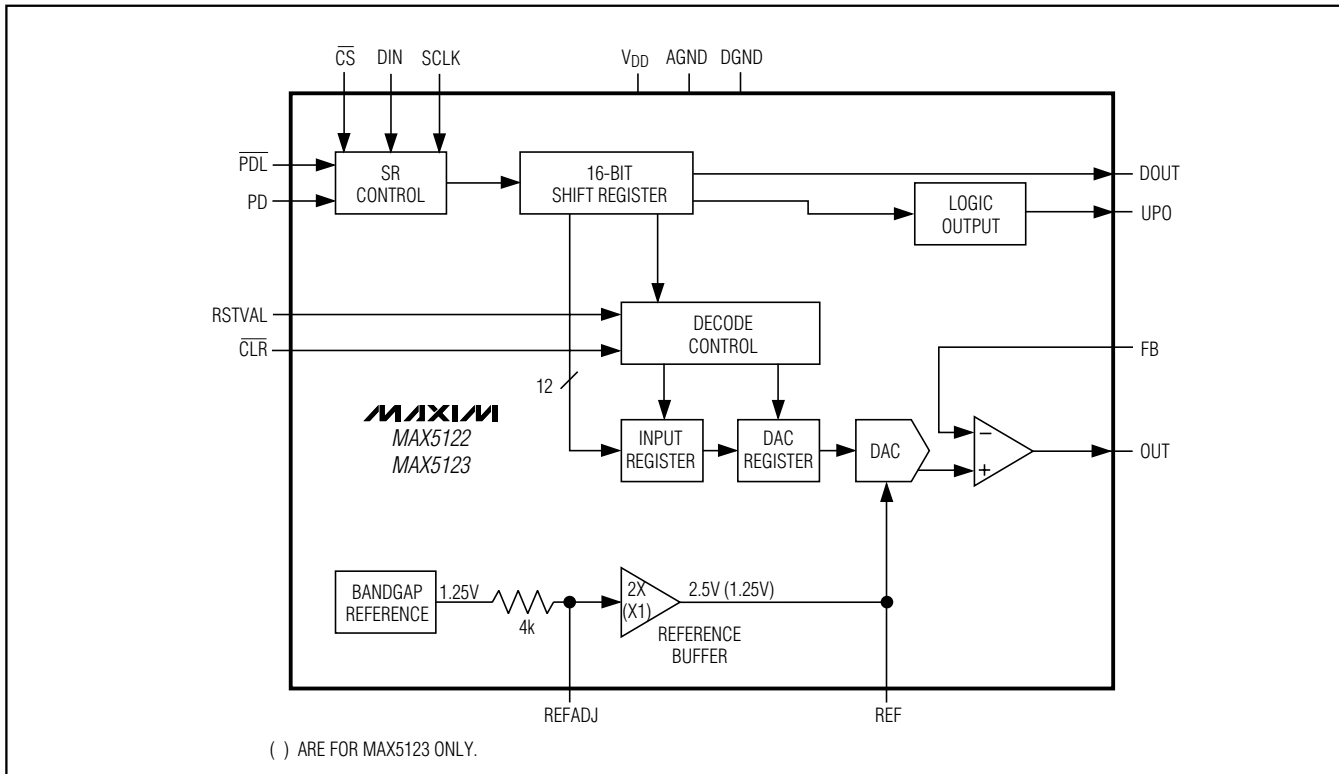


Figure 1. Simplified Functional Diagram

## Detailed Description

The MAX5122/MAX5123 12-bit, force/sense DACs are easily configured with a 3-wire serial interface. They include a 16-bit data-in/data-out shift register and have a double-buffered digital input consisting of an input register and a DAC register. In addition, these devices employ precision bandgap references, as well as an output amplifier with accessible feedback and output pins that can be used to set the gain externally (Figure 1) or for forcing and sensing applications. These DACs are designed with an inverted R-2R ladder network (Figure 2) that produces a weighted voltage proportional to the digital input code.

### Internal Reference

Both devices use an on-board precision bandgap reference with a low temperature coefficient of only 10ppm/°C (max) to generate an output voltage of +2.5V (MAX5122) or +1.25V (MAX5123). The REF pin can source up to 100µA and may become unstable with capacitive loads exceeding 100pF. REFADJ can be used for minor adjustments to the reference voltage.

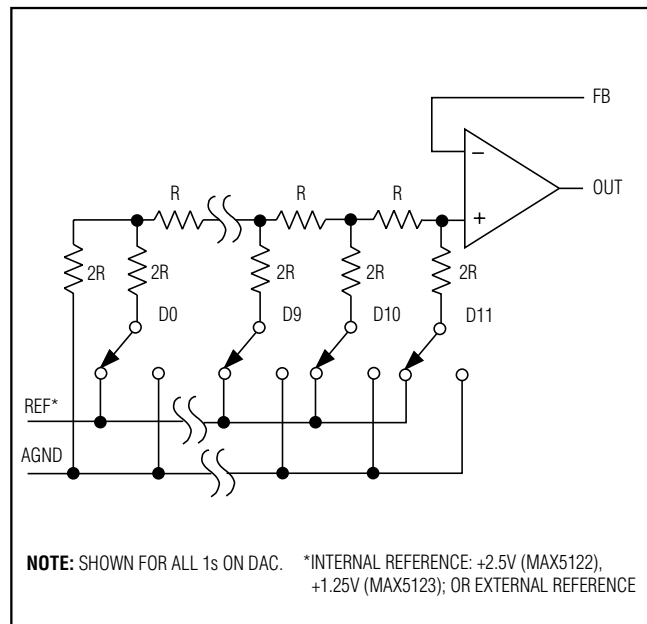


Figure 2. Simplified Inverted R-2R DAC Structure

# +5V/+3V, 12-Bit, Serial, Force/Sense DACs with 10ppm/°C Internal Reference

The circuit in Figure 3 achieves a nominal reference adjustment range of ±1%. Connect a 33nF capacitor from REFADJ to AGND to establish low-noise DAC operation. Larger capacitor values may be used, but will result in increased start-up delay. The time constant ( $\tau$ ) for the start-up delay is determined by the REFADJ input impedance of 4k $\Omega$  and CREFADJ:

$$\tau = 4\text{k}\Omega \cdot C_{\text{REFADJ}}$$

### External Reference

An external reference may be applied to the REF pin. Disable the internal reference by pulling REFADJ to V<sub>DD</sub>. This allows an external reference signal (AC- or DC-based) to be fed into the REF pin. For proper operation, **do not** exceed the input voltage range limits of 0 to (V<sub>DD</sub> - 1.4V) for V<sub>REF</sub>.

Determine the output voltage using the following equation (REFADJ = V<sub>DD</sub>):

$$V_{\text{OUT}} = V_{\text{REF}} \left[ \left( \frac{\text{NB}}{4096} \right) G \right]$$

where NB is the numeric value of the MAX5122/MAX5123 input code (0 to 4095), V<sub>REF</sub> is the external reference voltage, and G is the gain of the output amplifier, set by an external resistor-divider. The REF pin has a minimum input resistance of 40k $\Omega$  and is code-dependent.

### Output Amplifier

The MAX5122/MAX5123's DAC output is internally buffered by a precision amplifier with a typical slew rate of 0.6V/ $\mu$ s. Access to the output amplifier's inverting input (FB) provides the user greater flexibility with amplifier gain setting and signal conditioning (see *Applications Information*).

The output amplifier typically settles to ±0.5LSB from a full-scale transition within 20 $\mu$ s when it is connected in unity gain and loaded with 5k $\Omega$  || 100pF. Loads less than 1k $\Omega$  may result in degraded performance.

### Power-Down Mode

These devices feature software- and hardware-programmable (PD pin) shutdown modes that reduce the typical supply current to 3 $\mu$ A. To enter software shutdown mode, program the control sequence for the DAC as shown in Table 1.

In shutdown mode, the amplifier output becomes high-impedance and the serial interface remains active. Data in the input registers is saved, allowing the MAX5122/MAX5123 to recall the output state prior to entering shutdown when returning to normal operation. To exit shutdown mode, load both input and DAC registers simultaneously or update the DAC register from the input register. When returning from shutdown to normal operation, wait 2ms for the reference to settle. When using an external reference, the DAC requires only 20 $\mu$ s for the output to stabilize.

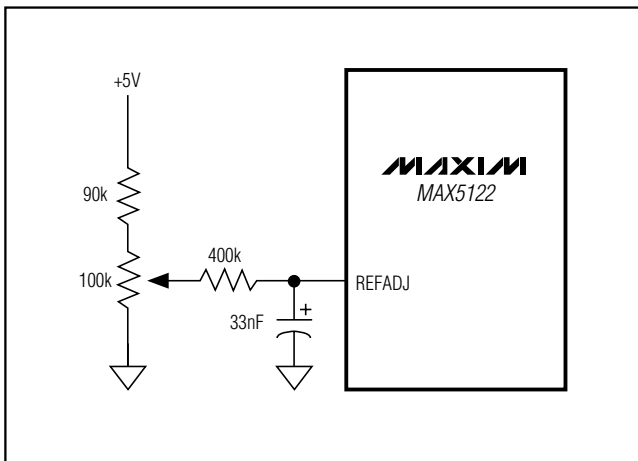


Figure 3a. MAX5122 Reference Adjust Circuit

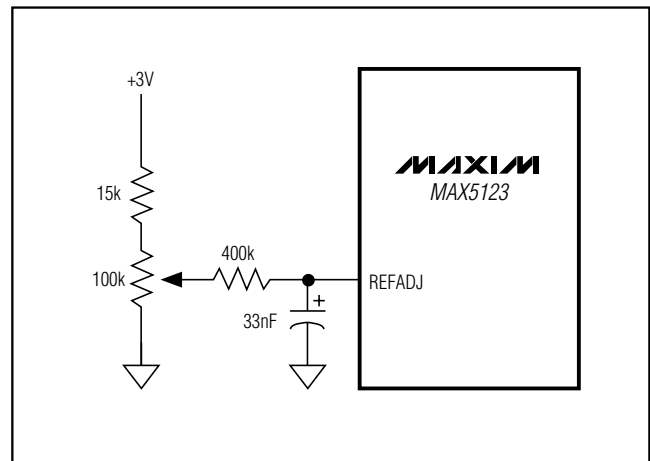


Figure 3b. MAX5123 Reference Adjust Circuit

# +5V/+3V, 12-Bit, Serial, Force/Sense DACs with 10ppm/°C Internal Reference

**Table 1. Serial-Interface Programming Commands**

16-BIT SERIAL WORD				S0*	FUNCTION
C2	C1	C0	D11 ..... D0	S0*	
0	0	0	XXXXXXXXXXXX	0	No operation.
0	0	1	12-Bit DAC Data	0	Load input register; DAC register unchanged.
0	1	0	12-Bit DAC Data	0	Simultaneously load input and DAC registers; exit shutdown.
0	1	1	XXXXXXXXXXXX	0	Update DAC register from input register; exit shutdown.
1	0	1	XXXXXXXXXXXX	0	Shutdown DAC (provided PDL = 1).
1	0	0	XXXXXXXXXXXX	0	UPO goes low (default).
1	1	0	XXXXXXXXXXXX	0	UPO goes high.
1	1	1	1XXXXXXXXXXXX	0	Mode 1; DOUT clocked out on SCLK's rising edge.
1	1	1	00XXXXXXXXXXXX	0	Mode 0; DOUT clocked out on SCLK's falling edge (default).

X = Don't care \* S0 is a sub-bit and always zero.

### Power-Down Lockout Input (PDL)

The power-down lockout pin (PDL) disables shutdown when low. When in shutdown mode, a high-to-low transition on PDL will wake up the DAC with its output still set to the state prior to power-down. PDL can also be used to wake up the device asynchronously.

### Power-Down Input (PD)

Pulling PD high places the MAX5122/MAX5123 in shutdown. Pulling PD low will not return the MAX5122/MAX5123 to normal operation. A high-to-low transition on PDL or appropriate commands (Table 1) via the serial interface are required to exit power-down mode.

### Serial-Interface Configuration (SPI/QSPI/MICROWIRE/PIC16/PIC17)

The MAX5122/MAX5123 3-wire serial interface is compatible with SPI, QSPI, PIC16/PIC17 (Figure 4) and MICROWIRE (Figure 5) interface standards. The 2-byte-long serial input word contains three control bits, 12 data bits in MSB-first format, and one sub-bit, which is always zero (Table 2).

The MAX5122/MAX5123's digital inputs are double buffered, which allows the user to:

- Load the input register without updating the DAC register,
- Update the DAC register with data from the input register,
- Update the input and DAC registers concurrently.

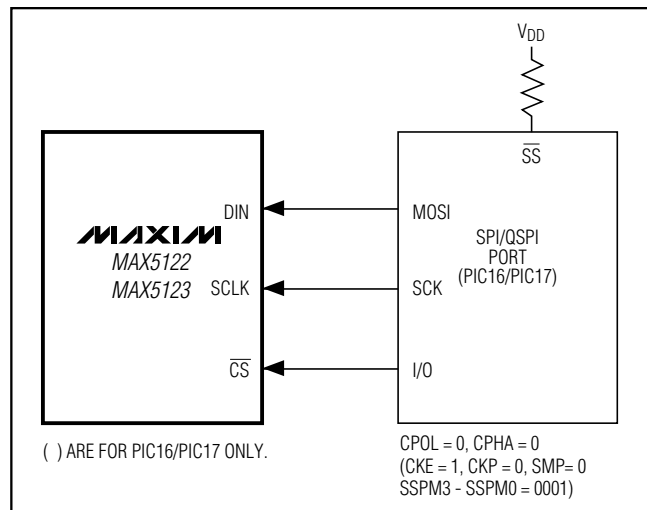


Figure 4. SPI/QSPI Interface Connections (PIC16/PIC17)

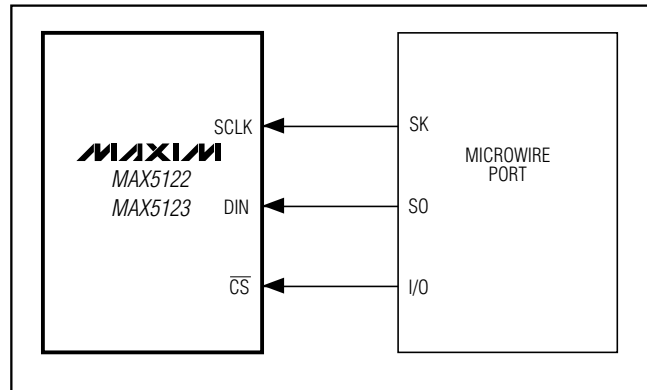


Figure 5. MICROWIRE Interface Connections

# +5V/+3V, 12-Bit, Serial, Force/Sense DACs with 10ppm/°C Internal Reference

The 16-bit input word may be sent in two 1-byte packets (SPI-, MICROWIRE-, and PIC16/PIC17-compatible), with  $\overline{CS}$  low during this period. The control bits C2, C1, and C0 (table 1) determine:

- The clock edge on which DOUT transitions,
- The state of the user-programmable logic output,
- The configuration of the device after shutdown.

The general timing diagram in Figure 6 illustrates how data is acquired.  $\overline{CS}$  must be low for the part to receive data. With  $\overline{CS}$  low, data at DIN is clocked into the register on the rising edge of SCLK. When  $\overline{CS}$  transitions high, data is latched into the input and/or DAC registers, depending on the setting of the three control bits C2, C1, and C0. The maximum serial clock frequency guaranteed for proper operation is 10MHz for the

MAX5122 and 6.6MHz for the MAX5123. Figure 7 depicts a more detailed timing diagram of the serial interface.

## PIC16 with SSP Module and PIC17 Interface

The MAX5122/MAX5123 are compatible with a PIC16/PIC17 microcontroller ( $\mu$ C), using the synchronous serial port (SSP) module. To establish SPI communication, connect the controller as shown in Figure 4 and configure the PIC16/PIC17 as system master by initializing its synchronous serial port control register (SSPCON) and synchronous serial port status register (SSPSTAT) to the bit patterns shown in Tables 3 and 4.

In SPI mode, the PIC16/PIC17  $\mu$ Cs allow eight bits of data to be synchronously transmitted and received simultaneously. Two consecutive 8-bit writings (Figure 6) are necessary to feed the DAC with three control bits, 12 data bits, and one sub-bit. DIN data transitions on the serial clock's falling edge and is clocked into the DAC on SCLK's rising edge. The first eight bits of DIN contain the three control bits (C2, C1, C0) and the first five data bits (D11–D7). The second 8-bit data stream contains the remaining bits (D6–D0), and the sub-bit S0.

**Table 2. Serial Data Format**

MSB ..... LSB		
← 16 BITS OF SERIAL DATA →		
Control Bits	MSB...Data Bits...LSB	Sub-Bit
C2, C1, C0	D11.....D0	S0

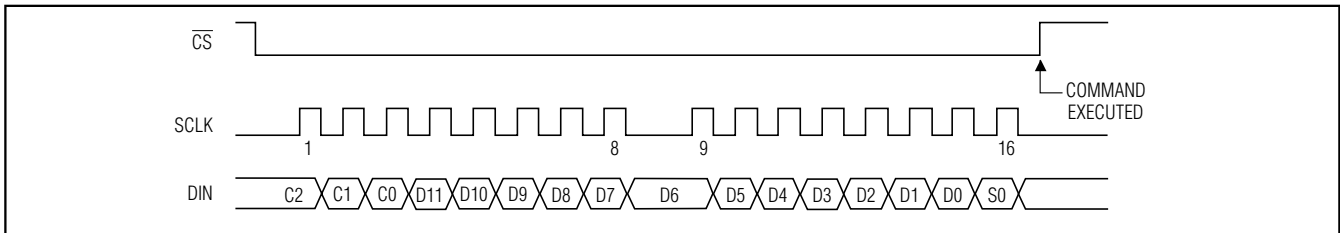


Figure 6. Serial-Interface Timing

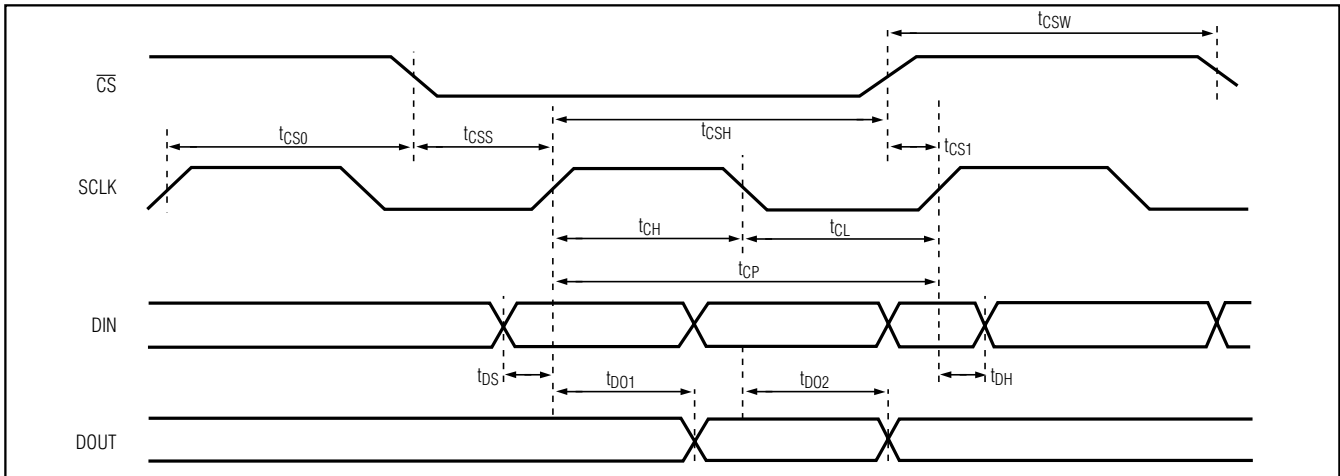


Figure 7. Detailed Serial-Interface Timing

# +5V/+3V, 12-Bit, Serial, Force/Sense DACs with 10ppm/°C Internal Reference

**Table 3. Detailed SSPCON Register Contents**

CONTROL BIT		MAX5122/MAX5123 SETTINGS	SYNCHRONOUS SERIAL-PORT CONTROL REGISTER (SSPCON)
WCOL	BIT7	X	Write Collision Detection Bit
SSPOV	BIT6	X	Receive Overflow Detect Bit
SSPEN	BIT5	1	Synchronous Serial Port Enable Bit. 0: Disables serial port and configures these pins as I/O port pins. 1: Enables serial port and configures SCK, SDO and SCI as serial-port pins.
CKP	BIT4	0	Clock Polarity Select Bit. CKP = 0 for SPI master-mode selection.
SSPM3	BIT3	0	Synchronous Serial Port Mode Select Bit. Sets SPI master mode and selects $f_{CLK} = f_{OSC} / 16$
SSPM2	BIT2	0	
SSPM1	BIT1	0	
SSPM0	BIT0	1	

X = Don't care

**Table 4. Detailed SSPSTAT Register Contents**

CONTROL BIT		MAX5122/MAX5123 SETTINGS	SYNCHRONOUS SERIAL-PORT CONTROL REGISTER (SSPSTAT)
SMP	BIT7	0	SPI Data Input Sample Phase. Input data is sampled at the middle of the data output time.
CKE	BIT6	1	SPI Clock Edge Select Bit. Data will be transmitted on the rising edge of the serial clock.
D/A	BIT5	X	Data Address Bit
P	BIT4	X	Stop Bit
S	BIT3	X	Start Bit
R/W	BIT2	X	Read/Write Bit Information
UA	BIT1	X	Update Address
BF	BIT0	X	Buffer Full Status Bit

X = Don't care

### Serial Data Output

The contents of the internal shift-register are output serially on DOUT which allows for daisy-chaining of multiple devices (see *Applications Information*) as well as data readback. The MAX5122/MAX5123 may be programmed to shift data out of DOUT on the serial clock's rising edge (Mode 1) or on the falling edge (Mode 0). The latter is the default during power-up and provides a lag of 16 clock cycles, maintaining SPI, QSPI, MICROWIRE, and PIC16/PIC17 compatibility. In Mode 1, the output data lags DIN by 15.5 clock cycles. During power-down, DOUT retains its last digital state prior to shutdown.

### User-Programmable Output (UPO)

The UPO feature allows an external device to be controlled through the serial-interface setup (Table 1) thereby reducing the number of microcontroller I/O ports required. During power-down, this output will retain the last digital state before shutdown. With CLR pulled low, UPO will reset to the default state after wake-up.

# +5V/+3V, 12-Bit, Serial, Force/Sense DACs with 10ppm/°C Internal Reference

## Applications Information

### Definitions

#### Integral Nonlinearity (INL)

Integral nonlinearity (Figure 8a) is the deviation of the values on an actual transfer function from a straight line. This straight line can be either a best-straight-line fit (closest approximation to the actual transfer curve) or a line drawn between the endpoints of the transfer function, once offset and gain errors have been nullified. For a DAC, the deviations are measured at every single step.

#### Differential Nonlinearity (DNL)

Differential nonlinearity (Figure 8b) is the difference between an actual step height and the ideal value of

1LSB. If the magnitude of the DNL is less than or equal to 1LSB, the DAC guarantees no missing codes and is monotonic.

#### Offset Error

The offset error (Figure 8c) is the difference between the ideal and the actual offset point. For a DAC, the offset point is the step value when the digital input is zero. This error affects all codes by the same amount and can usually be compensated for by trimming.

#### Gain Error

Gain error (Figure 8d) is the difference between the ideal and the actual full-scale output voltage on the transfer curve, after nullifying the offset error. This error alters the slope of the transfer function and corresponds to the same percentage error in each step.

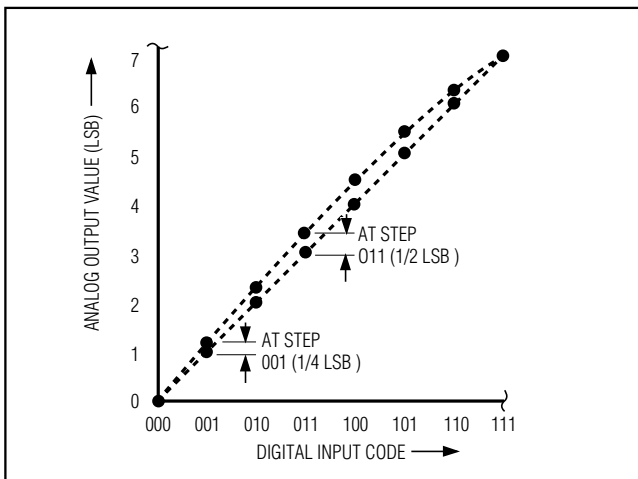


Figure 8a. Integral Nonlinearity

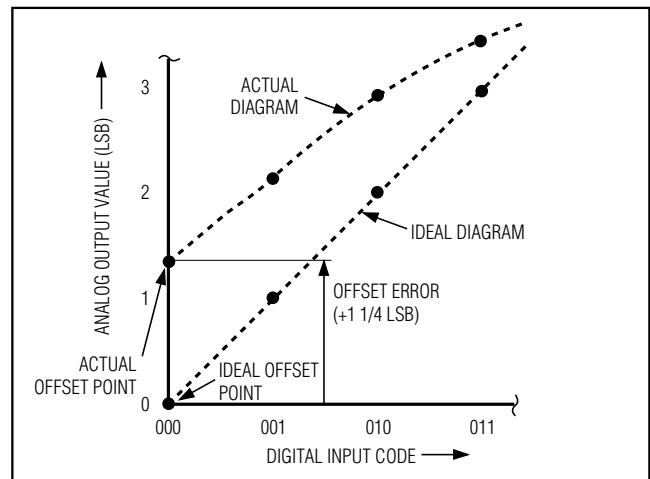


Figure 8c. Offset Error

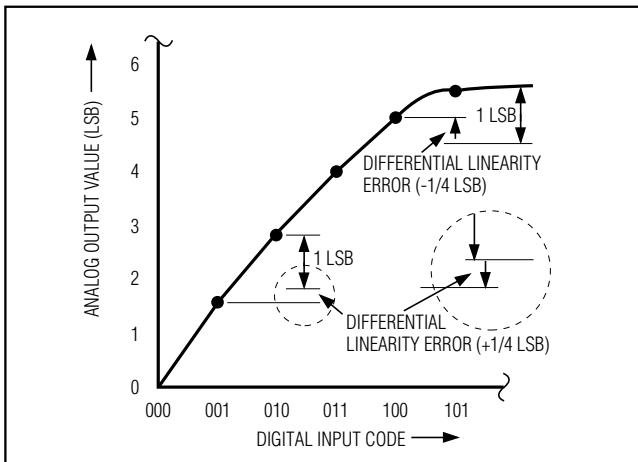


Figure 8b. Differential Nonlinearity

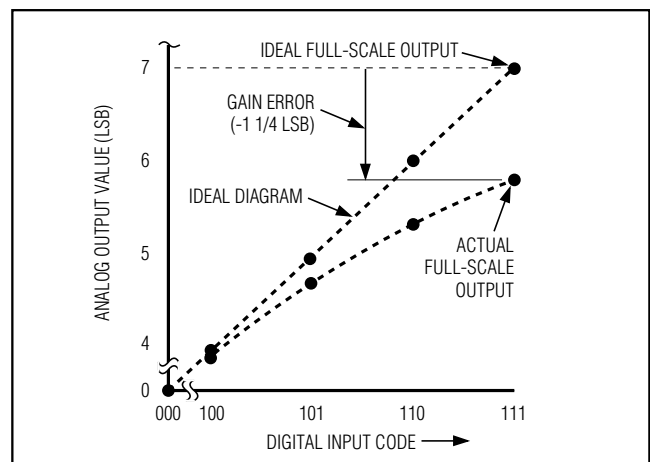


Figure 8d. Gain Error

# +5V/+3V, 12-Bit, Serial, Force/Sense DACs with 10ppm/°C Internal Reference

## Settling Time

The settling time is the amount of time required from the start of a transition until the DAC output settles to its new output value within the converter's specified accuracy.

## Digital Feedthrough

Digital feedthrough is noise generated on the DAC's output when any digital input transitions. Proper board layout and grounding will significantly reduce this noise, but there will always be some feedthrough caused by the DAC itself.

## Unipolar Output

Figure 9 shows the MAX5122/MAX5123 setup for unipolar, rail-to-rail operation with a closed-loop gain of 2V/V. With its internal reference of +2.5V, the MAX5122 provides a convenient unipolar output range of 0 to +4.99878V, while the MAX5123 offers an output range of 0 to +2.49939V with its on-board +1.25V reference. Table 5 lists example codes for unipolar output voltages.

## Bipolar Output

The MAX5122/MAX5123 can be configured for unity-gain bipolar operation (FB = OUT) using the circuit shown in Figure 10. The output voltage  $V_{OUT}$  is then given by the following equation:

$$V_{OUT} = V_{REF} [(G (NB / 4096)) - 1]$$

where NB is the numeric value of the DAC's binary input code,  $V_{REF}$  is the voltage of the internal (or external) precision reference, and G is the overall gain. The application circuit in Figure 10 uses a low-cost op amp (MAX4162) external to the MAX5122/MAX5123. Together with the MAX5122/MAX5123 this circuit offers an overall gain of +2V/V. Table 6 lists example codes for bipolar output voltages.

## Reset (RSTVAL) and Clear (CLR) Functions

The MAX5122/MAX5123 DACs feature a clear pin (CLR), which resets the output to a certain value, depending upon how RSTVAL is set. RSTVAL = DGND selects an output of 0, and RSTVAL =  $V_{DD}$  selects a midscale output when CLR is pulled low.

The  $\overline{CLR}$  pin has a minimum input resistance of 40k $\Omega$  in series with a diode to the supply voltage ( $V_{DD}$ ). If the digital voltage is higher than the supply voltage for the part, a small input current may flow, but this current will be limited to  $(V_{\overline{CLR}} - V_{DD} - 0.5V) / 40k\Omega$ .

**Note:** Clearing the DAC will also cause the part to exit a software shutdown (PD = 0).

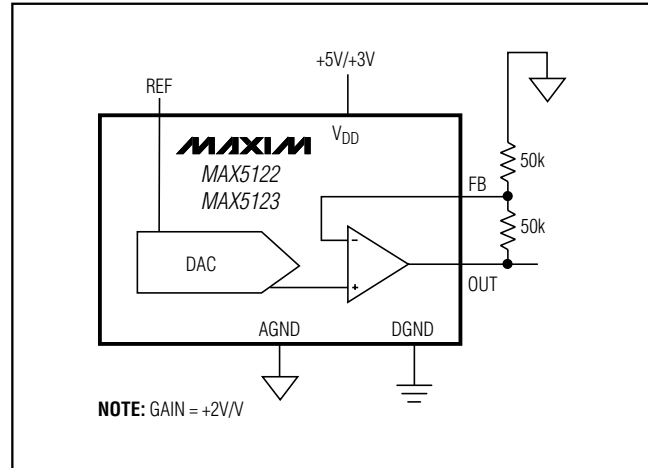


Figure 9. Unipolar Output Circuit Using Internal (+1.25V/+2.5V) or External Reference. With external reference, pull REFADJ to  $V_{DD}$ .

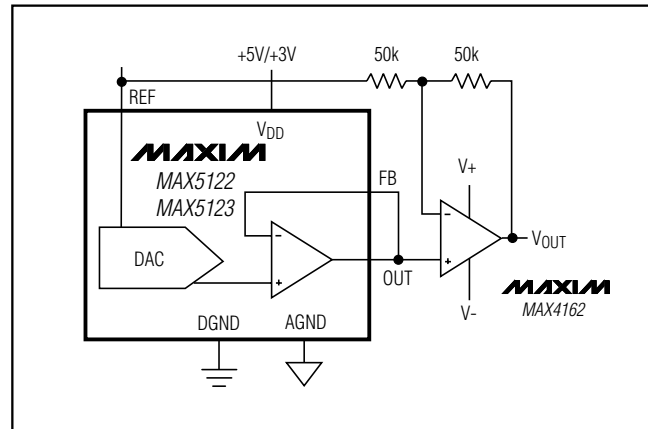


Figure 10. Unity-Gain Bipolar Output Circuit Using Internal (+1.25V/+2.5V) or External Reference. With external reference, pull REFADJ to  $V_{DD}$ .

## Daisy-Chaining Devices

Any number of MAX5122/MAX5123s may be daisy-chained by simply connecting the serial data output pin (DOUT) of one device to the serial data input pin (DIN) of the following device in the chain (Figure 11).

Another configuration (Figure 12) allows several MAX5122/MAX5123 DACs to share one common DIN signal line. In this configuration, the data bus is common to all devices; data is not shifted through a daisy-chain. However, more I/O lines are required in this configuration, because each IC needs a dedicated  $\overline{CS}$  line.



# +5V/+3V, 12-Bit, Serial, Force/Sense DACs with 10ppm/°C Internal Reference

**MAX5122/MAX5123**

**Table 5. Unipolar Code Table (Figure 9)**

DAC CONTENTS			ANALOG OUTPUT		
MSB	LSB	SUB-BIT S0	INTERNAL REFERENCE		EXTERNAL REFERENCE MAX5122/MAX5123
			MAX5122	MAX5123	
1111 1111 1111		0	+4.99878V	+2.49939V	VREF (4095 / 4096) 2
1000 0000 0001		0	+2.50122V	+1.25061V	VREF (2049 / 4096) 2
1000 0000 0000		0	+2.5V	+1.25V	VREF (2048 / 4096) 2
0111 1111 1111		0	+2.49878V	+1.24939V	VREF (2047 / 4096) 2
0000 0000 0001		0	+1.2207mV	+610.35μV	VREF (1 / 4096) 2
0000 0000 0000		0	0V	0V	0

**Table 6. Bipolar Code Table (Figure 10)**

DAC CONTENTS			ANALOG OUTPUT		
MSB	LSB	SUB-BIT S0	INTERNAL REFERENCE		EXTERNAL REFERENCE MAX5122/MAX5123
			MAX5122	MAX5123	
1111 1111 1111		0	+2.49878V	+1.24939V	VREF [ {2 (4095 / 4096)} - 1 ]
1000 0000 0001		0	+1.2207mV	+610.35μV	VREF [ {2 (2049 / 4096)} - 1 ]
1000 0000 0000		0	0V	0V	VREF [ {2 (2048 / 4096)} - 1 ]
0111 1111 1111		0	-1.2207mV	-610.35μV	VREF [ {2 (2047 / 4096)} - 1 ]
0000 0000 0001		0	-2.49878V	-1.24939V	VREF [ {2 (1 / 4096)} - 1 ]
0000 0000 0000		0	-2.5V	-1.25V	-VREF

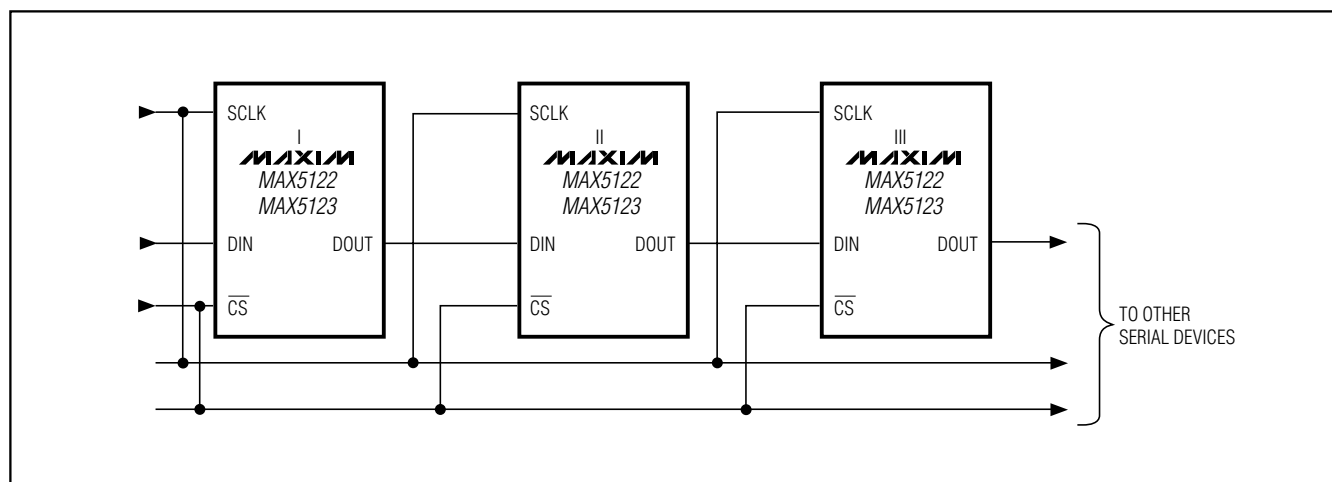


Figure 11. Daisy-Chaining Multiple Devices with the Digital I/Os DIN/DOUT

# +5V/+3V, 12-Bit, Serial, Force/Sense DACs with 10ppm/°C Internal Reference

## Using an External Reference with AC Components

The MAX5122/MAX5123 have multiplying capabilities within the reference input voltage range specifications. Figure 13 shows a technique for applying a sinusoidal input to REF, where the AC signal is offset before being applied to the reference input.

## Power-Supply and Bypassing Considerations

On power-up, the input and DAC registers are cleared to either zero (RSTVAL = DGND) or midscale (RSTVAL =

V<sub>DD</sub>). Bypass the power supply (V<sub>DD</sub>) with a 4.7μF capacitor in parallel with a 0.1μF capacitor to AGND. Minimize lead lengths to reduce lead inductance.

## Layout Considerations

Digital and AC signals coupling to AGND can create noise at the output. Connect AGND to the highest quality ground available. Use proper grounding techniques, such as a multilayer board with a low-inductance ground plane. Wire-wrapped boards and sockets are not recommended. If noise becomes an issue, shielding may be required.

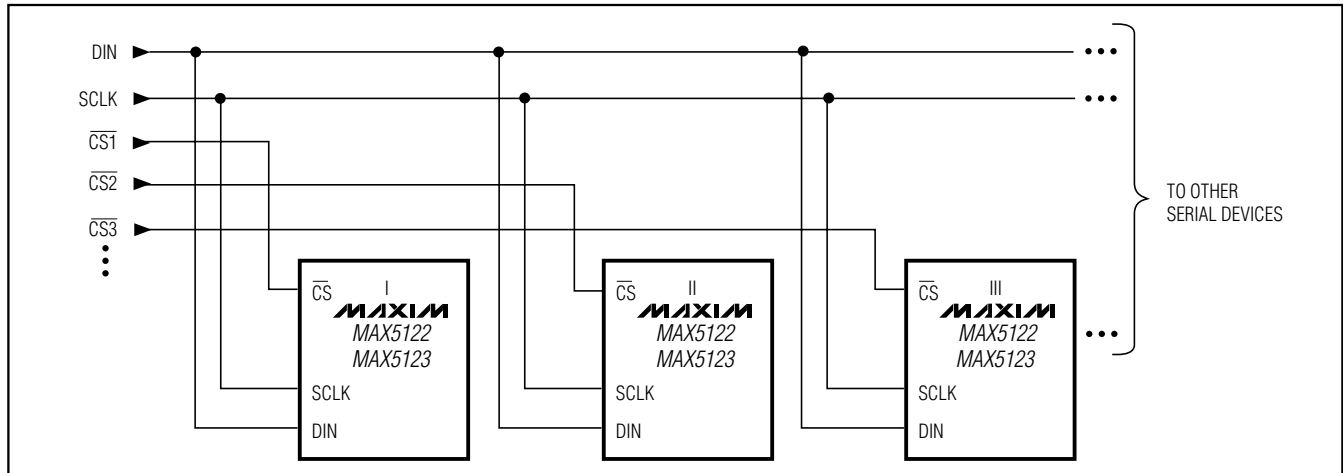


Figure 12. Multiple Devices Share One Common Digital Input (DIN)

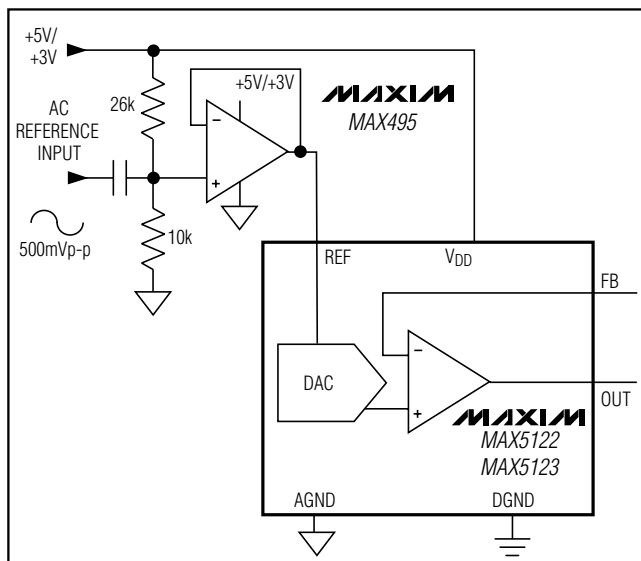


Figure 13. External Reference with AC Components

## Chip Information

TRANSISTOR COUNT: 3308  
SUBSTRATE CONNECTED TO AGND

# +5V/+3V, 12-Bit, Serial, Force/Sense DACs with 10ppm/°C Internal Reference

## Package Information

(The package drawing(s) in this data sheet may not reflect the most current specifications. For the latest package outline information, go to [www.maxim-ic.com/packages](http://www.maxim-ic.com/packages).)

MAX5122/MAX5123

DIM	INCHES		MILLIMETERS	
	MIN	MAX	MIN	MAX
A	.053	.069	1.35	1.75
A1	.004	.010	.102	.254
A2	.049	.065	1.245	1.651
B	.008	.012	0.20	0.30
C	.0075	.0098	0.191	0.249
D	SEE VARIATIONS			
E	.150	.157	3.81	3.99
e	.025 BSC		0.635 BSC	
H	.230	.244	5.84	6.20
h	.010	.016	0.25	0.41
L	.016	.035	0.41	0.89
N	SEE VARIATIONS			
α	0°	8°	0°	8°

VARIATIONS:

DIM	INCHES		MILLIMETERS		N
	MIN.	MAX.	MIN.	MAX.	
D	.189	.196	4.80	4.98	16 AB
S	.0020	.0070	0.05	0.18	
D	.337	.344	8.56	8.74	20 AD
S	.0500	.0550	1.270	1.397	
D	.337	.344	8.56	8.74	24 AE
S	.0250	.0300	0.635	0.762	
D	.386	.393	9.80	9.98	28 AF
S	.0250	.0300	0.635	0.762	

NOTES:

- 1). D & E DO NOT INCLUDE MOLD FLASH OR PROTRUSIONS.
- 2). MOLD FLASH OR PROTRUSIONS NOT TO EXCEED .006" PER SIDE.
- 3). CONTROLLING DIMENSIONS: INCHES.
- 4). MEETS JEDEC MO137.

**DALLAS SEMICONDUCTOR** **MAXIM**

PROPRIETARY INFORMATION

TITLE: PACKAGE OUTLINE, QSOP .150", .025" LEAD PITCH

APPROVAL: \_\_\_\_\_ DOCUMENT CONTROL NO. 21-0055 REV: F 1/1

Maxim cannot assume responsibility for use of any circuitry other than circuitry entirely embodied in a Maxim product. No circuit patent licenses are implied. Maxim reserves the right to change the circuitry and specifications without notice at any time.

19 **Maxim Integrated Products, 120 San Gabriel Drive, Sunnyvale, CA 94086 408-737-7600**